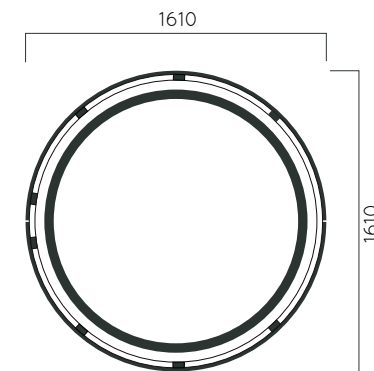




DIMENSIONS: D1610xH840



LINES PLANTER

Material: Impregnated wood coated with Water-based paint certified by the (En 71- 3 safety for toys).

Fixing: Hot-dip galvanized & powder-coated metal

- ▷ Resistance
- ▷ Stabilized dimensions

- Translucent wood finish
- ▷ Transparency
 - ▷ Protection

- Autoclave treated wood
- ▷ Strength
 - ▷ Long serving
 - ▷ Resistant to severe weather conditions

Packing size: 1620 x 1620 x 850 mm

Colours | textures:

